

Aivon Oy

Manual

BoBoX 2

Breakout box

AIVON OY

BoBoX 2



© Aivon Oy
Valimotie 13A
00380 Helsinki, Finland
www.aivon.fi

Table of Contents

Main features	4
Basic schematic	5
Output connection	5
Specifications	6
Document revision history	6

BoBoX 2

BreakOutBoX with versatile grounding options

A ivon BoBoX 2 is a versatile breakout box for separating and filtering signals from a multipin Fischer connector to BNC connectors. Each line can be separately grounded or shorted to adjacent line. Also BNC shields can be separately grounded.

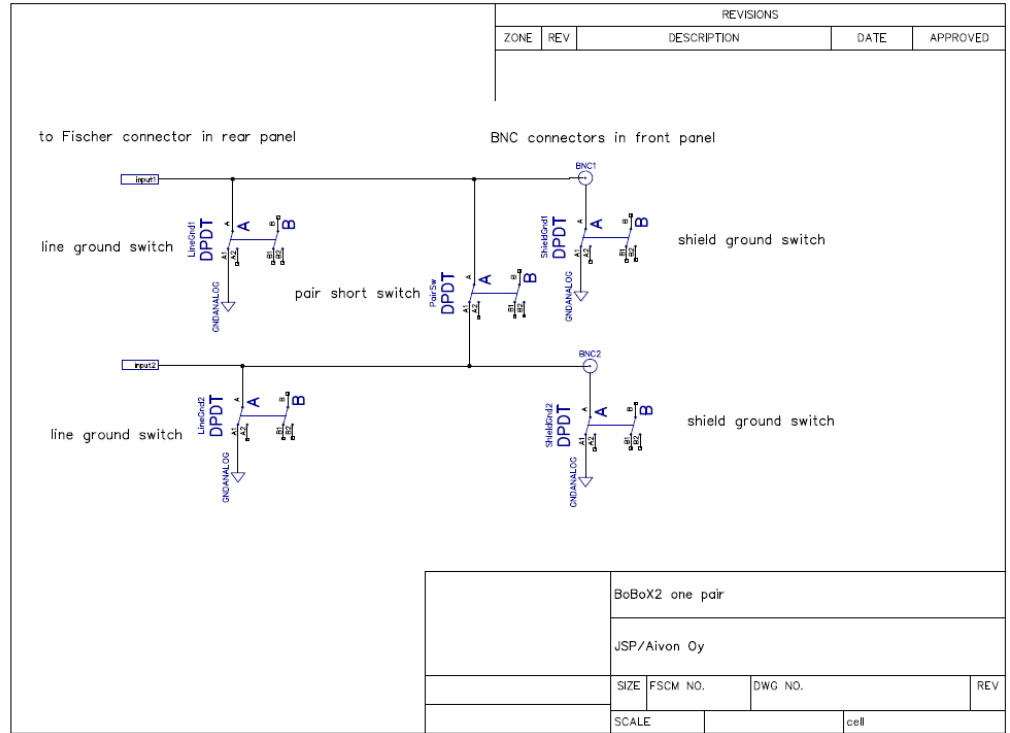


Main features

- User selectable grounding for each line:
 - BNC center connector is connected to printed circuit board common ground
 - BNC shield is connected to printed circuit board common ground
 - pcb common ground is available in rear panel banana connector
 - by default, chassis is separated from pcb common ground
 - paired lines (1-2, 3-4, ..., 23-24) can be separately shorted
- Output connector Fischer DGP 105 A093 or a custom one.
 - mates with S 105 A093, output cable available
 - shield of output connector is connected to chassis. Optionally shield can be floated using isolating adapter piece
- 19" rack mountable.

Note: BoBoX 2 contains no RC filtering. User should filter out higher frequencies for example with ferrite beads in the output cable if low noise operation is required.

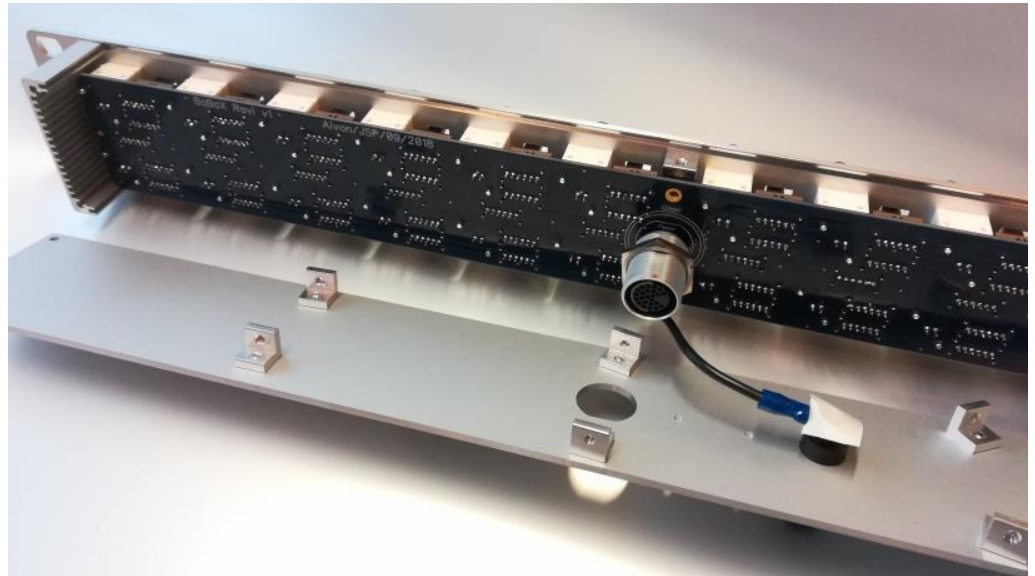
Basic schematic



Output connection

In rear panel of BoBoX 2 there are engravings to mark pin numbering and a Fischer DGP 105 A093 connector for signals out.





Specifications

Absolute maximum ratings

Voltage	± 100 V
---------	-------------

Connectors

Input	BNC
Output	Fischer DGP 105 A093 or custom

Enclosure

Material	Anodized aluminum
----------	-------------------

Physical dimensions

Enclosure dimensions (Width x height x depth)	483 mm x 57 mm x 84 mm
Weight	1.1 kg

Document revision history

Date	Version	Description	Author
5.11.2018	0.1	Initial draft	JSP